
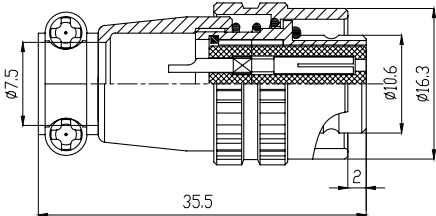

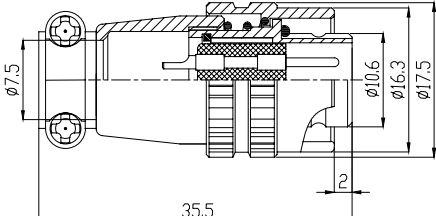

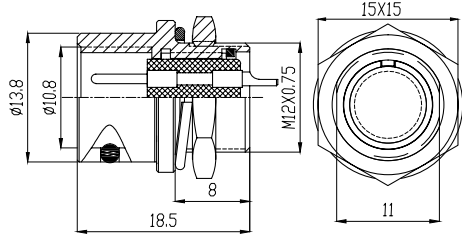

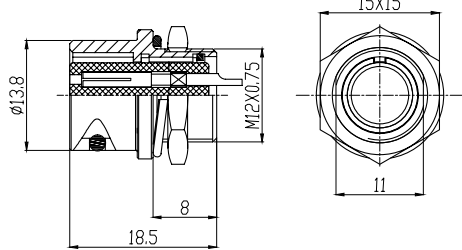

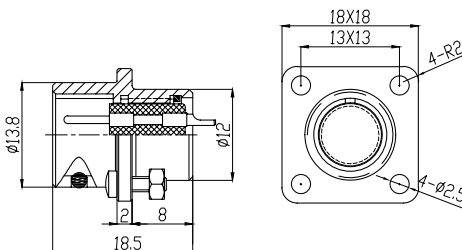
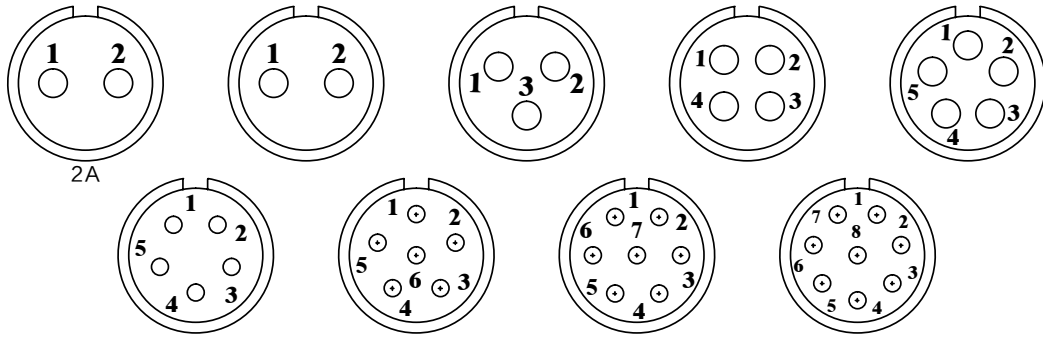


图 例 Description-Figure	安装尺寸图 Drawing	芯数 Contacts	订货号 Ordering-NO
<b>直式电缆母插头</b> Straight female plug IP65 		2A 2 3 4 5 5A 6 7 8	XS12-2AA XS12-2A XS12-3A XS12-4A XS12-5A XS12-5AA XS12-6A XS12-7A XS12-8A
<b>直式电缆公插头</b> Straight male plug IP65 		2A 2 3 4 5 5A 6 7 8	XS12F-2AA XS12F-2A XS12F-3A XS12F-4A XS12F-5A XS12F-5AA XS12F-6A XS12F-7A XS12F-8A
<b>板前安装公插座</b> Panel front mount male socket IP65 		2A 2 3 4 5 5A 6 7 8	XS12-2AB XS12-2B XS12-3B XS12-4B XS12-5B XS12-5AB XS12-6B XS12-7B XS12-8B
<b>板前安装母插座</b> Panel front mount female socket IP65 		2A 2 3 4 5 5A 6 7 8	XS12F-2AB XS12F-2B XS12F-3B XS12F-4B XS12F-5B XS12F-5AB XS12F-6B XS12F-7B XS12F-8B
<b>方形公插座</b> Square male socket IP65 		2A 2 3 4 5 5A 6 7 8	XS12-2AH XS12-2H XS12-3H XS12-4H XS12-5H XS12-5AH XS12-6H XS12-7H XS12-8H



## 孔位排列 (从针的方向看)

The hole place arranges(Comply with the needle direction)



## 材料和技术方式

Material and specifications

<b>接插方式</b> Coupling	<b>推入式快速锁紧</b> Push-Pull	<b>接线方式</b> Termination	<b>焊接</b> Solder
<b>外壳材料</b> Shell material	<b>锌基合金 (镀镍)</b> Zinc alloys with nickelplate	<b>接插次数</b> Mating cycle	500 次 500
<b>绝缘体</b> Insert material	<b>电木</b> Bakelite	<b>温度范围</b> Temperature range	-20℃ ~ +85℃
<b>接触体材料</b> Contact material	<b>铜 (镀银 / 金)</b> copper(silverplated/gold)	<b>电缆直径</b> Cable diameter	≤ φ 7.5mm ~ ≤ φ 8.3mm

## 技术参数

Technology parameter

芯数 NO.of contacts	2A	2	3	4	5	5A	6	7	8
额定电流 / 电压 Rated current/voltage	16A-200V	5A-200V	5A-200V	5A-125V	5A-125V	5A-125V	5A-125V	5A-125V	5A-125V
工作电压 (AC.V) 分钟 Operation limit voltage(AC.V.rms)	250	250	250	200	200	200	200	200	200
耐电压 (AC.V) 分钟 Withstanding voltage(AC.V.rms) I minute	2500	2500	2500	1500	1500	1500	1500	1500	1500
绝缘阻抗 (MΩ) DC500V Insulation resistance(MΩ MIN.) at DC 500V	3000	3000	3000	1500	1500	1500	1500	1500	1500
接触阻抗 (MΩ) DC1A Contact resistance (MΩ MAX.) AT DC 1A	3	10	10	10	10	10	10	10	10
焊杯口径 (mm) Solder cup mouth aperture	1	0.9	0.9	0.9	0.9	0.9	0.9	0.9	0.9
接触体孔径 (mm) Solder inter diameter	1.5	1	1	1	1	1	1	1	1