


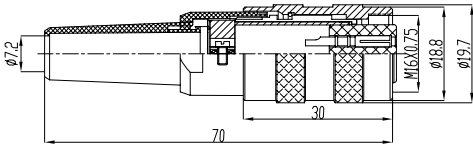

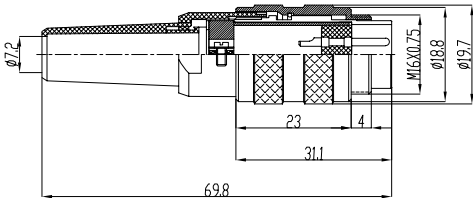

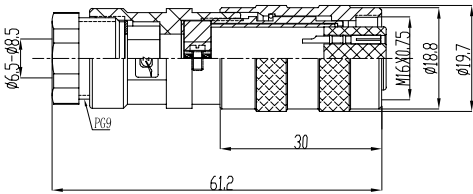

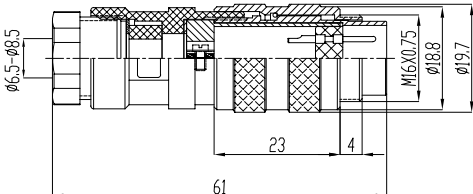

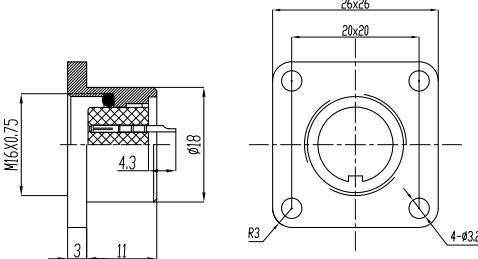

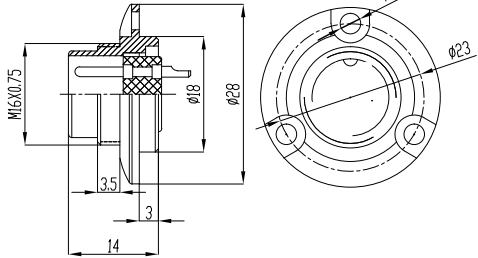

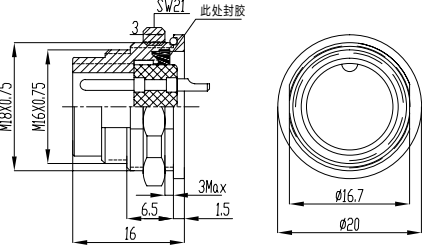

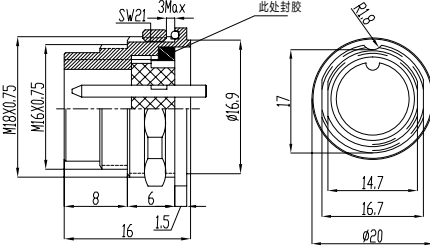

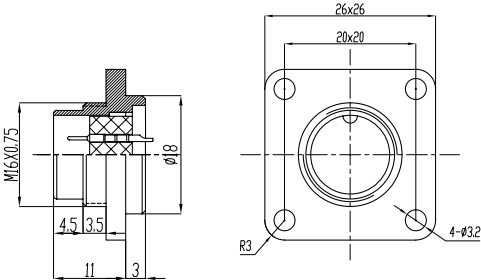

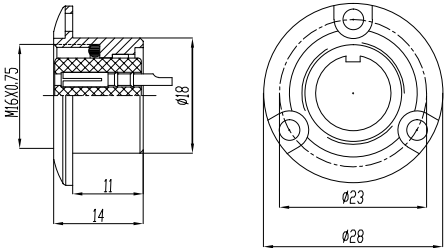
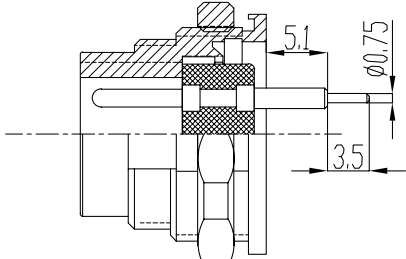

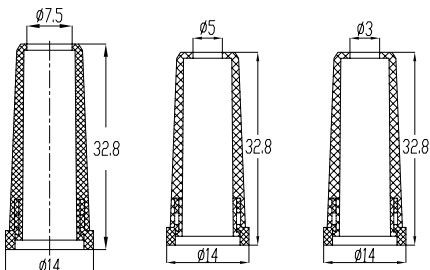
<p>图 例 Description-Figure</p>	<p>安装尺寸图 Drawing</p>	<p>芯数 Contacts</p>	<p>订货号 Ordering-NO</p>
<p>直式电缆母插头 Straight female plug IP65</p> 		<p>2 3 4 5 5A 6 7 7A 8 12 14 16 19 24</p>	<p>M16-2A M16-3A M16-4A M16-5A M16-5AA M16-6A M16-7A M16-7AA M16-8A M16-12A M16-14A M16-16A M16-19A M16-24A</p>
<p>电缆对接公插头 Male cable connecting plug IP65</p> 		<p>2 3 4 5 5A 6 7 7A 8 12 14 16 19 24</p>	<p>M16F-2K M16F-3K M16F-4K M16F-5K M16F-5AK M16F-6K M16F-7K M16F-7AK M16F-8K M16F-12K M16F-14K M16F-16K M16F-19K M16F-24K</p>
<p>PG 电缆母插头 PG type female cable plug IP65</p> 		<p>2 3 4 5 5A 6 7 7A 8 12 14 16 19 24</p>	<p>M16PG-2A M16PG-3A M16PG-4A M16PG-5A M16PG-5AA M16PG-6A M16PG-7A M16PG-7AA M16PG-8A M16PG-12A M16PG-14A M16PG-16A M16PG-19A M16PG-24A</p>
<p>PG 电缆对接公插头 PG type male cable plug IP65</p> 		<p>2 3 4 5 5A 6 7 7A 8 12 14 16 19 24</p>	<p>M16PGF-2K M16PGF-3K M16PGF-4K M16PGF-5K M16PGF-5AK M16PGF-6K M16PGF-7K M16PGF-7AK M16PGF-8K M16PGF-12K M16PGF-14K M16PGF-16K M16PGF-19K M16PGF-24K</p>

图 例 Description-Figure	安装尺寸图 Drawing	芯数 Contacts	订货号 Ordering-NO
<p>板前安装方形公插座 Panel front mount male socket IP65</p> 		2 3 4 5 5A 6 7 7A 8 12 14 16 19 24	M16-2H1 M16-3H1 M16-4H1 M16-5H1 M16-5AH1 M16-6H1 M16-7H1 M16-7AH1 M16-8H1 M16-12H1 M16-14H1 M16-16H1 M16-19H1 M16-24H1
<p>板前安装圆形法兰公插座 Panel front mount male socket IP65</p> 		2 3 4 5 5A 6 7 7A 8 12 14 16 19 24	M16-2E1 M16-3E1 M16-4E1 M16-5E1 M16-5AE1 M16-6E1 M16-7E1 M16-7AE1 M16-8E1 M16-12E1 M16-14E1 M16-16E1 M16-19E1 M16-24E1
<p>铜制板后安装防水公插座 Panel back mount waterproof male socket IP67</p> 		2 3 4 5 5A 6 7 7A 8 12 14 16 19 24	M16-2BT M16-3BT M16-4BT M16-5BT M16-5ABT M16-6BT M16-7BT M16-7ABT M16-8BT M16-12BT M16-14BT M16-16BT M16-19BT M16-24BT
<p>板后安装防水公插座 Panel back mount waterproof male socket IP67</p> 		2 3 4 5 5A 6 7 7A 8 12 14 16 19 24	M16-2BX M16-3BX M16-4BX M16-5BX M16-5ABX M16-6BX M16-7BX M16-7ABX M16-8BX M16-12BX M16-14BX M16-16BX M16-19BX M16-24BX

<p>图 例 Description-Figure</p>	<p>安装尺寸图 Drawing</p>	<p>芯数 Contacts</p>	<p>订货号 Ordering-NO</p>
<p>方型板前安装母插座 Panel front mount square female socket IP65</p> 		<p>2 3 4 5 5A 6 7 7A 8 12 14 16 19 24</p>	<p>M16F-2H1 M16F-3H1 M16F-4H1 M16F-5H1 M16F-5AH1 M16F-6H1 M16F-7H1 M16F-7AH1 M16F-8H1 M16F-12H1 M16F-14H1 M16F-16H1 M16F-19H1 M16F-24H1</p>
<p>板前安装圆形法兰母插座 Panel front mount circular female socket IP65</p> 		<p>2 3 4 5 5A 6 7 7A 8 12 14 16 19 24</p>	<p>M16F-2E1 M16F-3E1 M16F-4E1 M16F-5E1 M16F-5AE1 M16F-6E1 M16F-7E1 M16F-7AE1 M16F-8E1 M16F-12E1 M16F-14E1 M16F-16E1 M16F-19E1 M16F-24E1</p>
<p>PCB 插针尾部直径 可按客户要求定做 The PCB pin tail diameter can be customized</p>		<p>2 3 4 5 5A 6 7 7A 8 12 14 16 19 24</p>	<p>M16-2PCB M16-3PCB M16-4PCB M16-5PCB M16-5APCB M16-6PCB M16-7PCB M16-7APCB M16-8PCB M16-12PCB M16-14PCB M16-16PCB M16-19PCB M16-24PCB</p>
<p>套线软管 Sleeve hose</p> 		<p>选购 shopping (下单时需 确定电线出 线口大小)</p>	<p>M16-A-1-φ 7.5 M16-A-1-φ 5 M16-A-1-φ 3</p>
<p>铜螺帽 Copper nut</p> 